

EdgeLink® Mini-Mux™ 840

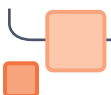
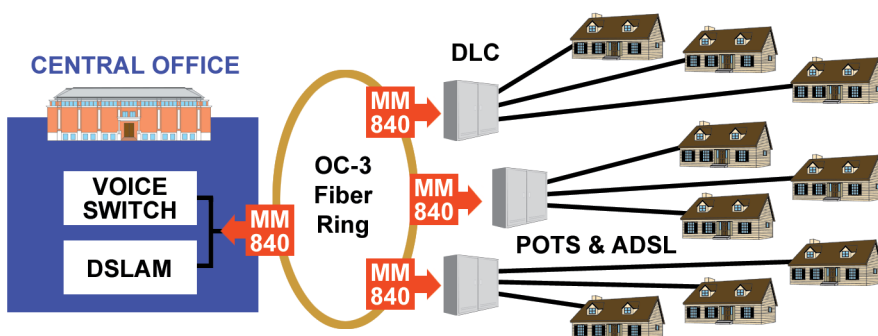
Combines 84 T1 (63 E1) into an OC-3 (STM-1) network



The EdgeLink Mini-Mux 840 combines the functionality of three complete M13 multiplexers with an OC-3/STM-1 add/drop multiplexer. At one rack mounting unit in height, the Mini-Mux 840 ranks among the densest broadband multiplexing solutions available. Combine its small size with its simple installation and configuration, and it becomes one of the industry's most craft-friendly broadband multiplexers.

The Mini-Mux 840 is ideal for mass termination of OC-3 signals, highly-efficient intra-office transport of T1s/E1s, or anywhere space is at a premium or low power consumption is a must. UPSR ring deployment is also supported. T1s and E1s can be mixed within the OC-3 network. Extensive diagnostic and alarm features are standard. 1x1 redundancy is available for all circuitry. Internal, external, through, line, and loop timing modes are all supported.

- Combines up to 84 T1s (63 E1s) into an OC-3 (STM-1)
- Intermediate Reach (20dB)
- Simple Management: SNMP, Telnet, VT100, Web Browser, TL1
- T1 (E1) grooming for flexible channel management
- Flexible Configuration: UPSR Ring or Terminal Mode
- Flexible Timing Support including internal, external, through, line and loop timing
- Extensive alarm statistics and diagnostic capabilities
- Available in a 28 T1 (21 E1) drop configuration option for small applications (Mini-Mux 840L)



EdgeLink Mini-Mux 840

Broadband multiplexing solutions

Key Applications

- Mass termination of OC-3/STM-1 signals for T1/E1 access
- UPSR feeder rings
- Wireless cell site interconnect and backhaul
- Backhaul of legacy DLCs
- Feeder mux for next generation MSPPs
- Delivery of T1 to businesses via fiber

Specifications

OC-3 Interface

- 1310 nm singlemode laser
- 20 dB min optical power budget (Intermediate Reach)
- LC transceiver connector

T1 INTERFACE

- Line Rate:
- TX: 1.544 Mbps +/- 50 ppm
- RX: 1.544 Mbps +/- 130 ppm
- Line Code: AMI or B8ZS
- LBO Settings: 0 to 655 ft.
- Line Framing: SF (D4), ESF, or Unframed

E1 INTERFACE

- Line Rate: 2.048 Mbps +/- 50ppm
- Line Code: AMI or HDB3
- Line Framing: CCS, CAS, Unframed

POWER

- Separate A & B battery feeds
- -48VDC, 35 watts maximum

PERFORMANCE MONITORING

- Cumulative Errored and Severely Errored Seconds:
- OC-3 Section B1 errors
- OC-3 Line B2 errors
- STS-1 Path B3 errors
- T3 Parity errors
- T3 CP-bit errors
- T3 FEBE errors
- T1/E1 BPV errors
- 24 Hr. Statistics

ALARMS

- External contacts for visual and audible alarms
- Critical, Major, and Minor Alarms
- Normally open and normally closed pin-out
- Front panel alarm cutoff switch
- OC-3 Alarms: LOS, LOF, LOP, SLM, AIS, RDI
- STS-1 Alarms: LOF, LOP, SLM, AIS, RDI
- T3 Alarms: OOF, AIS, RAI
- T1/E1 Alarms: LOS

SYSTEM MANAGEMENT

- VT100 terminal compatibility
- Telnet
- SNMP (Fully-compliant Charles Industries MIB)
- Serial interface, 1200 baud to 115 kilobaud
- Ethernet 10BaseT, RJ45 Connector
- Remote management via SONET DCC

MECHANICAL

- 19" Shelf: 1.75 H; 17.37" W; 12.00" D
4.45 cm H; 44.12 cm W; 30.50 cm D
- Weight: Maximum of 8 lbs.
(fully loaded and redundant)

ENVIRONMENTAL

- Commercial operating temperature from 0° to +55° C
- Extended operating temperature from -40° to +65° C
- Relative humidity to 95% (non-condensing)
- Altitude to 12,000 ft. (3660 m)

CERTIFICATIONS

- UL/C-UL
- NEBS Level 3
- FCC Part 15 Class A

Ordering Information

Part Number	Description
700-00028-001	Chassis and 1 OMX28 - 1 Working, 0 Protect, -48V, Ext Temp
700-00028-002	Chassis and 2 OMX28 - 1 Working, 1 Protect, -48V, Ext Temp
700-00028-003	Chassis and 1 OMX28 - 1 Working, 0 Protect, -48V
700-00028-004	Chassis and 2 OMX28 - 1 Working, 1 Protect, -48V
700-00063-001	Chassis and 2 OMX84 - 1 Working, 1 Protect, -48V, Ext Temp
700-00063-002	Chassis and 1 OMX84 - 1 Working, 0 Protect, -48V, Ext Temp
700-00063-005	Chassis and 1 OMX84 - 1 Working, 0 Protect, -48V
700-00063-006	Chassis and 2 OMX28 - 1 Working, 1 Protect, -48V



Int'l Headquarters
Tel: +972-9-866-2525
Fax: +972-9-866-2500
sales.emea@telco.com
http://www.telco.com

US Headquarters
Tel: +1-800-221-2849
Fax: +1-781-551-0538
sales@telco.com
http://www.telco.com

Germany
Tel: +49-241-4635490
Fax: +49-241-4635491
info@batm.de
http://www.telco.com

France
Tel: +33(0)1-567-12-773
Fax: +33(0)1-437-71-780
support@batm.fr
http://www.batm.fr

Asia Pacific
Tel: +65-6224-3112
Fax: +65-6220-5848
info.apac@telco.com
http://www.telco.com

Japan
Tel: +81(3)5215-5709
Fax: +81(3)5215-5704
Info.jp@telco.com
http://www.telco.com